



## MiniTracker

Type 3200365  
1200 Watt Metal Halide

- ✓ SkyTracker Exclusively Designed Mechanics and High Reflective Optics
- ✓ Leading Edge Metal Halide Technology
- ✓ Lamphead rotates 360° at Variable speeds
- ✓ Precision Nickel Electroformed Parabolic Reflector specifically coated for continuous High Output performance
- ✓ Heavy Duty Construction and Intelligently designed for easy field serviceability
- ✓ Weathertight Housing permits Indoor or Outdoor display
- ✓ All fixtures include easy-adjust projection angle setting and convenient carry handles
- ✓ Tempered Glass Lamphead Window
- ✓ Operates from standard household current (120 volt, 15 ampere single phase)
- ✓ International voltages & frequencies available
- ✓ Industry Standard Single-ended 1200 watt Metal Halide bulb plugs into prefocused base

Perfect for . . .

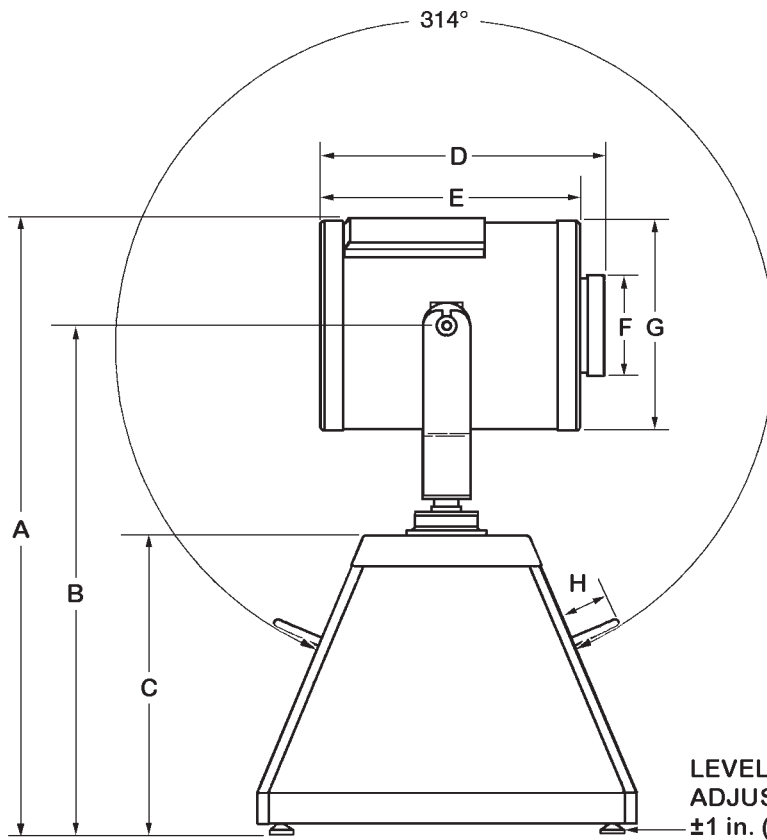
- Grand Openings
- Movie Premiers
- Special Events
- Night Clubs
- Parties



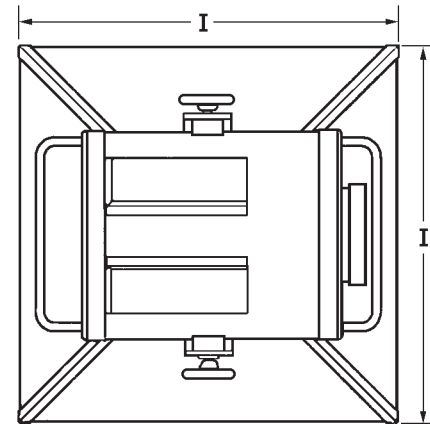
The **MiniTracker** is a compact, full-motion, single-head metal halide searchlight producing a highly visible coherent beam of light. It moves in a continuous and attention-getting circular pattern. The sweeping beam not only adds motion and excitement to an event or lighting effect, but also pinpoints the location.

Both the projection angle of the light beam and the speed of the lamphead's rotation are easily set. The MiniTracker plugs into any 120 volt, 15 ampere AC receptacle.

**Type 3200365**  
1200 Watt Metal Halide



A.....	43 in. (109cm)
B.....	36 in. (91.5cm)
C.....	21 in. (53.3cm)
D.....	18 in. (45.7cm)
E.....	16½ in. (42cm)
F.....	6½ in. (16.5cm)
G.....	13½ in. (34.2cm)
H.....	3 in. (7.6cm)
I.....	24½ in. (62.2cm)
Net Weight .....	105 lb. (47.6 kg)



Power Requirement: 110-120 V.AC, 15 Ampere Single Phase (220-240 volt model available)  
Bulb: Single-Ended 1200 Watt Metal Halide (Philips MSR/MSD 1200/2 or equivalent)